

Industrial and general service gauges

Model 1009

According ASME B40.1
 Nominal size 2 ½ and 3 ½ inch
 Accuracy: Grade 1A (1 %)



Features

- Patented *PowerFlex™* movement
- Rugged all welded construction
- Protection IP54 (vented) or IP65
- Overload protection 130 %
- Dry, liquid filled or liquid less (*PLUS!* gauge)
- Measuring system stainless steel
- True Zero™ pointer indication
- MSL Helium leak tested
- RoHS compliant

Ranges

-1 ... 0 bar up to 0 ... 1000 bar
 -30 in. Hg ... 0 psi up to 0 ... 15.000 psi

Applications

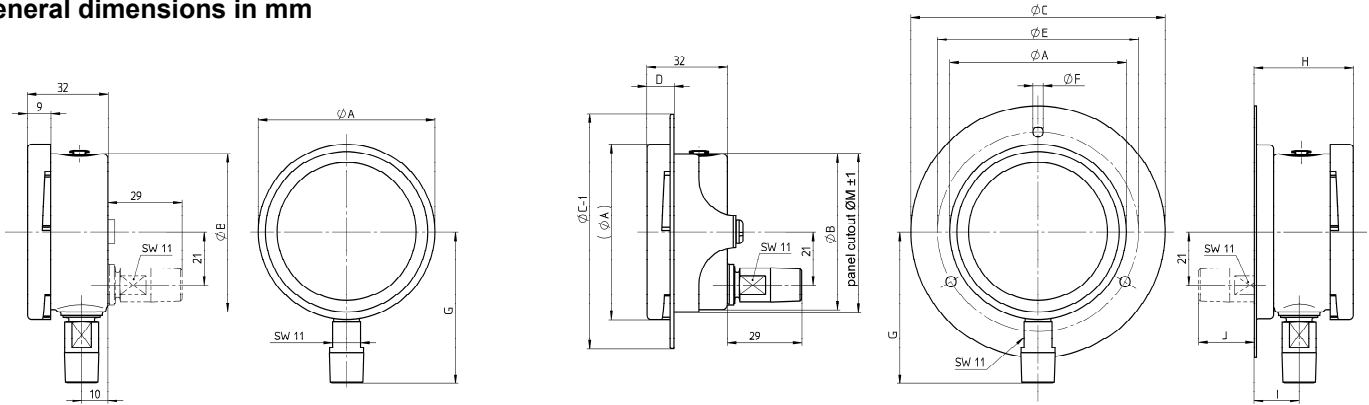
Chemical and petrochemical industry
 Machine and apparatus construction
 Food and beverage industry
 Pulp and paper industry



Technical specification	1009	
	2 ½	3 ½
Dial size in inch		
Construction	Open front with bayonet ring	
Measuring principle	Bourdon tube C-shaped (vacuum up to 40 bar) or helical design (60 bar and up) with spring suspended PowerFlex™ movement	
Range in bar	1 1,6 2,5 4 6 10 16 25 40 60 100 160 250 400 600 1000	
Range in psi	-1/0 -1/0,6 -1/1,5 -1/3 -1/5 -1/9 15 30 60 100 160 200 300 400 600 800 1000 1500	
Range in in. Hg/psi	2000 3000 5000 6000 7500 10000 15000 30/0 30/15 30/60 30/100 30/150 30/300	
Overpressure limit	130 % F.S., short time	
Pressure type	Gauge, vacuum and compound	
Process connection	¼ NPT male, ½ NPT male according ANSI/ASME B1.20.1 G ¼ B male, ¼ male straight or tapered JIS, BSP (metric connection not for brass socket) ½ NPT male according ANSI/ASME B1.20.1 (not for back connection)	
Connection location	Lower, lower back, top connection and connection at 3, 9 or 12 o'clock on request	
Material	Pressure connection: Bronze or stainless steel 316L (1.4404) Tube: Stainless steel 316L (1.4404) Case/ring: Stainless steel 304 (1.4301) polished bayonet Window: Polycarbonate, optional laminated safety glass Dial: Aluminum, black markings on white background Pointer: Aluminum, black, friction adjustable, optional micrometer adjustment, red set hand on request Movement: Stainless steel series 300, PowerFlex™, polyester segment, overload/underload stops	
Accuracy	Grade 1A (1 % F.S.)	
Permissible	Ambient temperature: -40 ... 90 °C, liquid filled with glycerin -5 ... 65 °C, liquid filled with silicone -40 ... 65 °C Medium temperature: Max. 120 °C Storage temperature: -40 ... 65 °C Effect: Max. 0,3 % / 10 K	
Protection according EN 60 529/IEC 529	IP54 (plug vented), IP65 (plug sealed)	
Filling liquids	Glycerin, silicone, halocarbon, others on request Optional dampened movement (liquid less gauge), functions as liquid filled gauge (<i>PLUS!</i> gauge)	
Mounting	Standard stem, optional flush with U-clamp or front flange or surface with back flange	
Weight dry/filled in kg	0,12/0,23 0,2/0,4	
Accessories, options	Diaphragm seals, valves, receiver ranges, refrigerant ranges, customer dials	

All specifications are subject to change without notice.

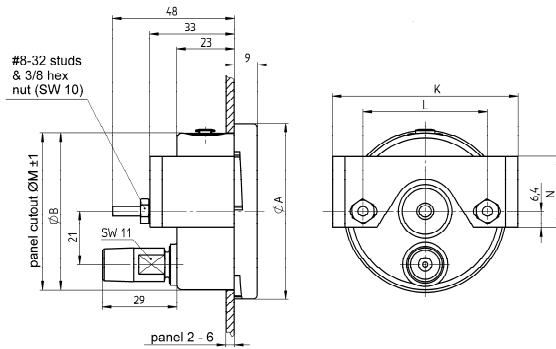
General dimensions in mm



2 1/2" & 3 1/2" lower & back

2 1/2" & 3 1/2" back (FF)

2 1/2" & 3 1/2" lower & back (FW)



2 1/2" & 3 1/2" back (UC)

Dia.	A	B	C	C-1	D	E	F	G	H	I	J	K	L	M	N	
2 1/2	70	62	101	94	11	80	4	61	39	18	22	73	49	65	64	28
3 1/2	99	91	132	132	16	116	6	75	42	20	20	106	61	97	93	26

Rev. -

Order information

Size	System material	Execution	Process connection	Connection orientation	Range	Engineering unit	Filling	Options
(25) 2 1/2" (63 mm)	(AW) 316L (1.4404) tube, bronze socket (max. 60 bar)	(=) Standard IP65 (plug sealed)	(01) 1/8 NPT male	(L) Lower	-1/ 0	(BAR)	(=) Standard no filling	(NH) Tagging wired
			(02) 1/4 NPT male	(B) Back	-1/ 1,5			
(35) 3 1/2" (90 mm)	(SW) 316L (1.4404)	(L) Liquid filled IP65	(04) 1/2 NPT male ¹⁾		-1/ 3		(GV) Silicone	(TU) Throttle plug stainless steel
			(13) G 1/4 B male ²⁾		-1/ 5		(GR) Glycerin	(DA) Dial marking
			(KA) 1/4 male tapered JIS, BSP ²⁾		0/ 1		(GX) Halo- carbon	(6B) Oxygen cleaned (not for system AW)
			(KJ) 1/4 male straight JIS, BSP ²⁾		0/ 1,6			(SG) Safety glass
					0/ 2,5			(MP) Micrometer pointer
					0/ 4			(SH) Red set hand stationary
					0/ 6			(EO) Red set hand, adjustable
					0/ 10			(FF) Front flange
					0/ 16			(FW) Back flange
					0/ 25			(UC) U-clamp
					0/ 40			(LJ) Field fillable (only for execution "=", IP65)
					0/ 60			(LL) Liquid less gauges (Halocarbon filling not al- lowed)
					0/ 100			
					0/ 160			
					0/ 250			
					0/ 400			
					0/ 600			
					0/1000			

psi and others
on request,
on dual
scales the
metric range
is the domi-
nant inner
scale

Order example

Size	Type	System material	Execution	Process connection	Connection orientation	Range	Engineering unit	Filling	Options
25	1009	SW	L	02	L	0/16	BAR	GR	NH

Ashcroft Instruments GmbH

Germany
Max-Planck-Str. 1, D-52499 Baesweiler
P.O. Box 11 20, D-52490 Baesweiler
Tel.: +49 (0) 2401 808-0, Fax: +49 (0) 2401 808-125

France
„206“ ZA du Mandinet, 1/3 Rue des Campanules
F-77185 Lognes
Tel.: +33 (0) 1 60 37 25 30, Fax: +33 (0) 1 60 37 25 39

Website: www.ashcroft.eu

e-Mail: sales@ashcroft.com

United Kingdom
Unit 5 William James House
Cowley Road, Cambridge CB4 0WX
Tel.: +44 (0) 12 23 39 55 00, Fax: +44 (0) 12 23 39 55 01